

# SECTION 4-ELECTRICAL CONNECTIONS and TERMINAL LIST

## 4.1 MOTOR DRIVER MAIN CONNECTIONS

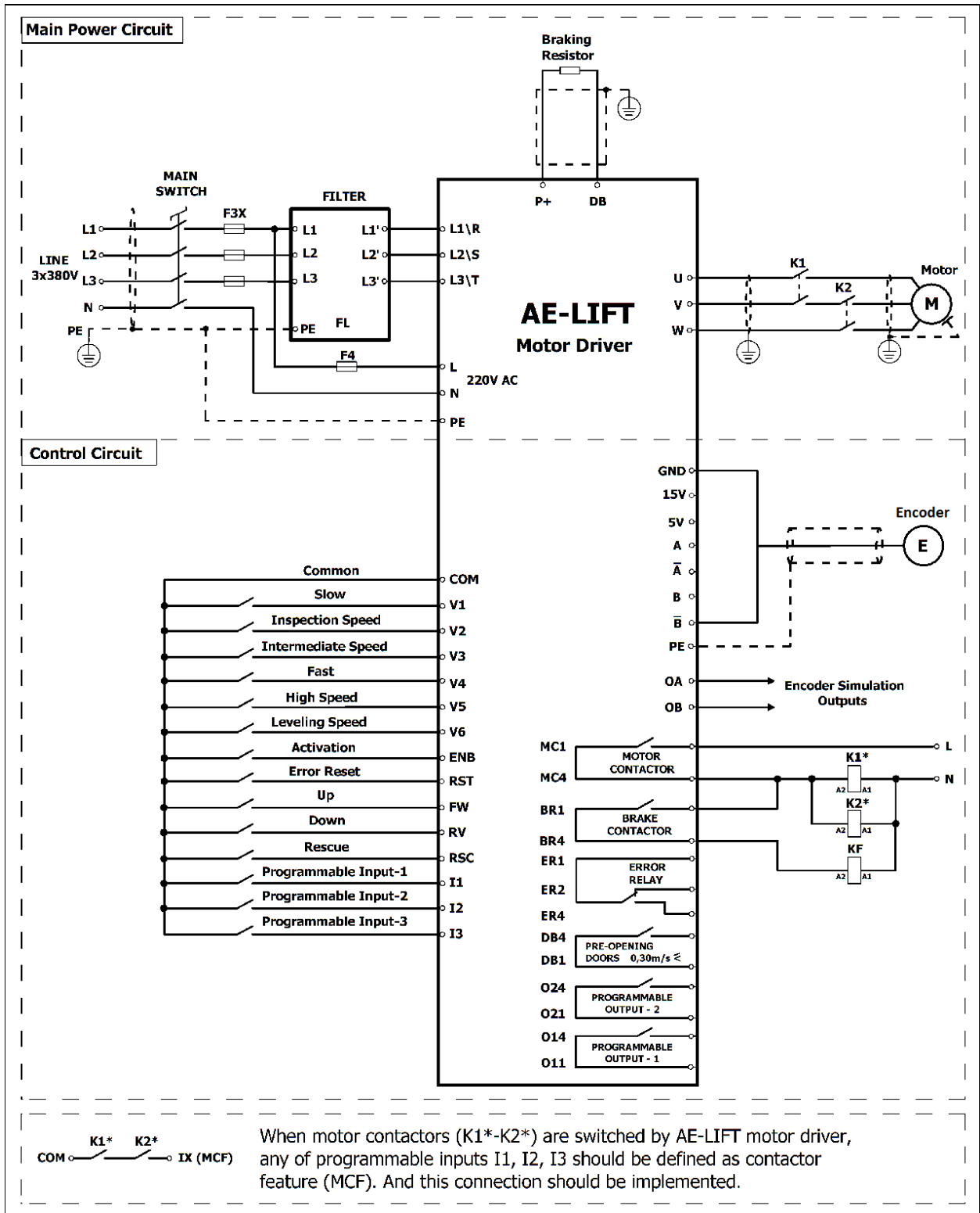


Figure 4.1 AE-LIFT Main Connection Diagram